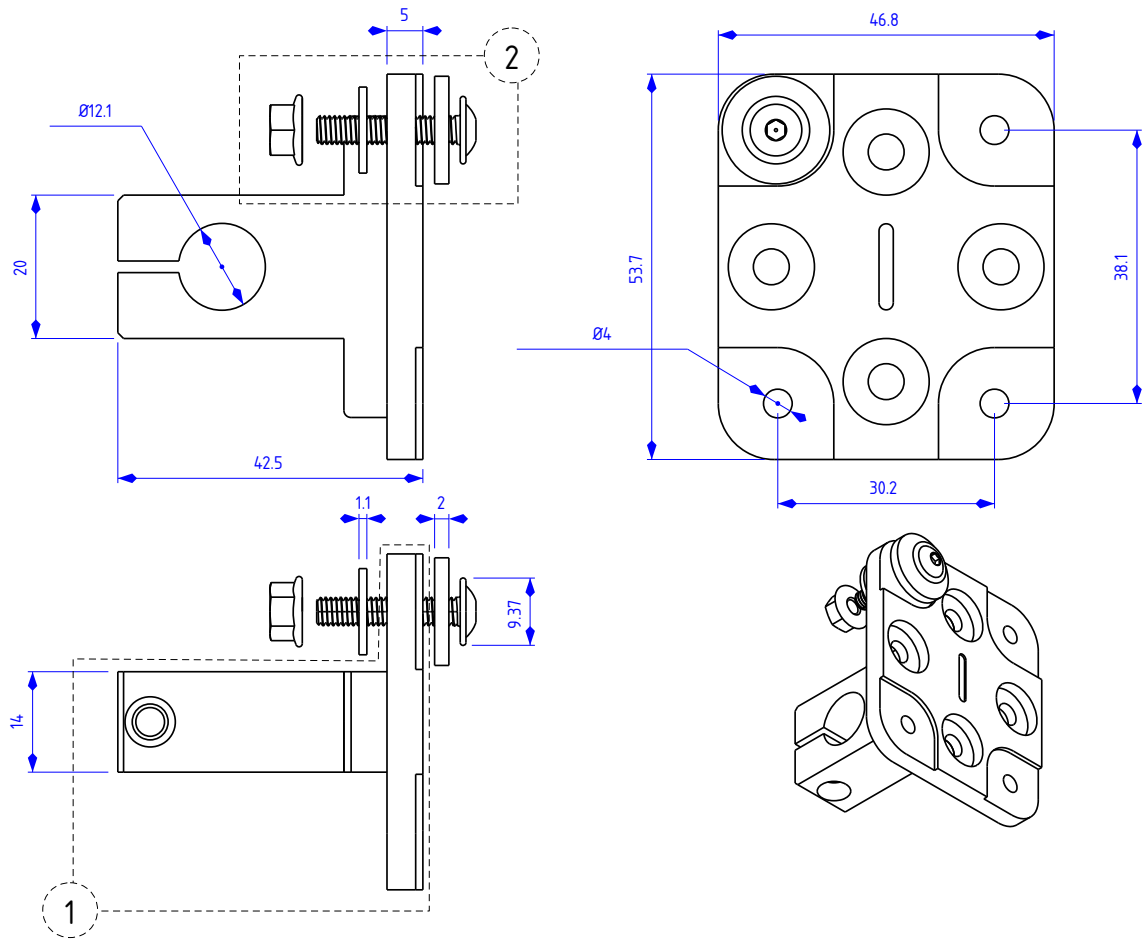


Product	Clamp for GPS Navigator	Id	NACL10	Version	1.0	Doc.	NACL_v1.0_datasheet_rev01
---------	-------------------------	----	--------	---------	-----	------	---------------------------



Technical data	Part list		
Total weight ^[1] : 63 gr.	Id	Description	Quantity
Material: ABS and aluminum	1	T-Bracket + plate ^[2]	1
Operative temperature: -15°, +70°	2	Mounting M4 screw ^[3]	4

Notes
1. Weight including all the parts: screws, washers, etc.
2. Including clamping/joining screws and washers.
3. M4x20 ISO 7380 + 2 rubber washers + 2 nylon washers + 1 M4 self-locking nut DIN 6923