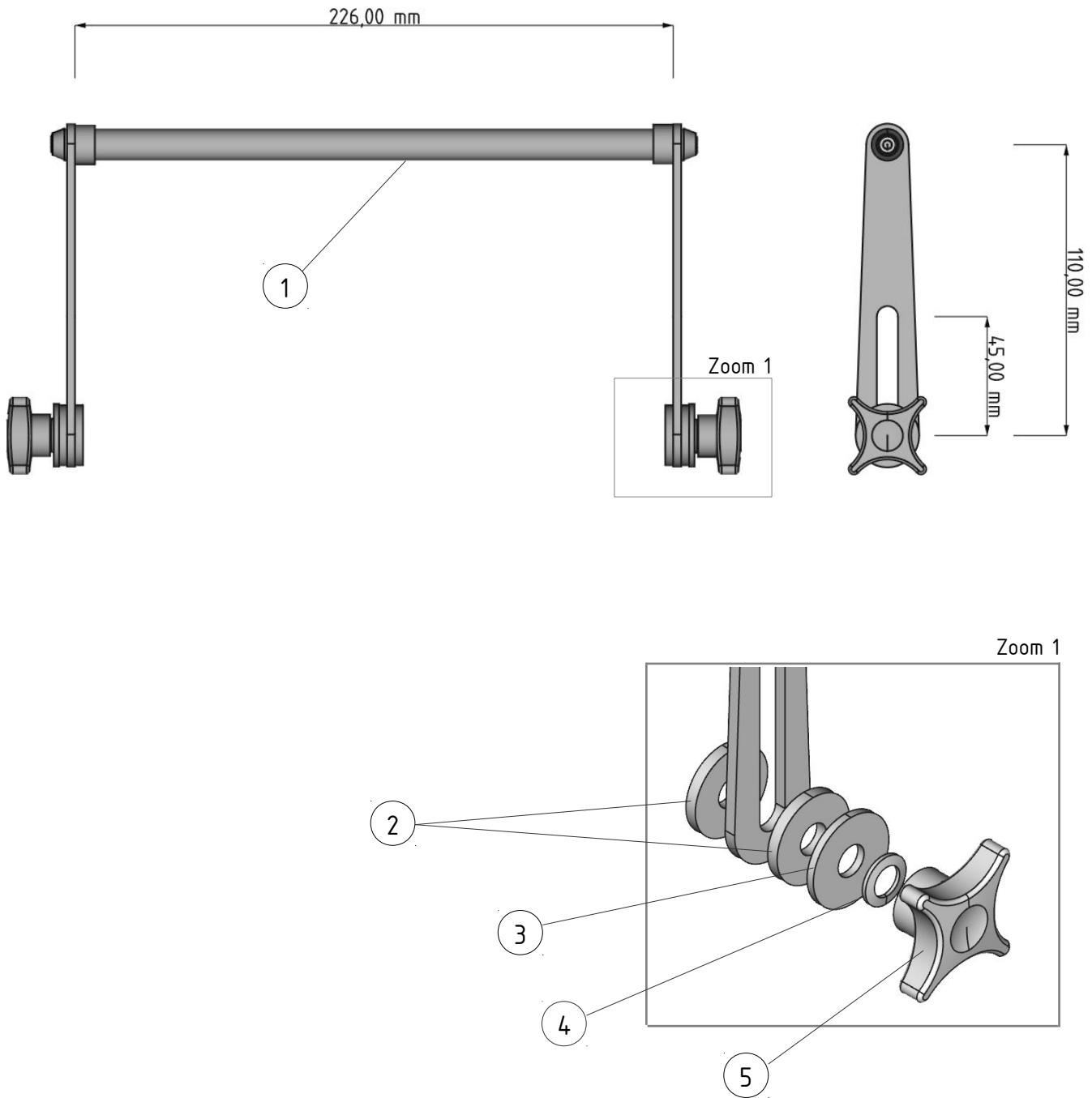


Product	GPS holder - standard	Id	GPHS12	Version	1.2	Doc.	GPHS_v1.2_datasheet_rev00
----------------	-----------------------	-----------	--------	----------------	-----	-------------	---------------------------



Technical data	Part list		
Total weight*: 215 gr	Id	Description	Quantity
Material: steel and aluminum	1	Holder bridge	1
Operative temperature: -30°, +80°	2	NBR rubber washer M8	4
(*) all included: screws, knobs, washers, etc.	3	Steel washer M8	2
	4	Spring washer M8	2
	5	Knob M8	2